

WALK DETAIL

SCALE: N.T.S.

NOTE:

1. WALK TO BE DIVIDED INTO EQUALLY SPACED BLOCKS AT APPROXIMATELY 8' INTERVALS. EXPANSION JOINT FILLER 1/2" THICK SHALL BE INSTALLED BETWEEN WALK AND ANY FIXED STRUCTURE EXTENDING FOR THE FULL DEPTH OF THE SIDEWALK. THE EXPANSION JOINT FILLER SHALL BE 1" THICK WHERE WALK IS INSTALLED AGAINST BACK OF CURB.
2. BASE MATERIAL WIDTH SHALL EQUAL SIDEWALK WIDTH PLUS(+) 6" ON BOTH SIDES OF THE WALK

PREPARED BY:



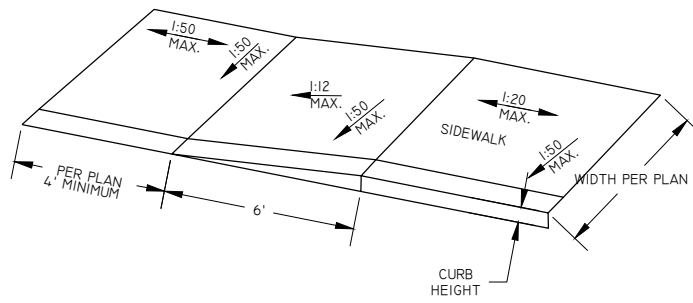
PREPARED FOR:

VILLAGE OF
CADIZ

CADIZ SIDEWALK PROGRAM

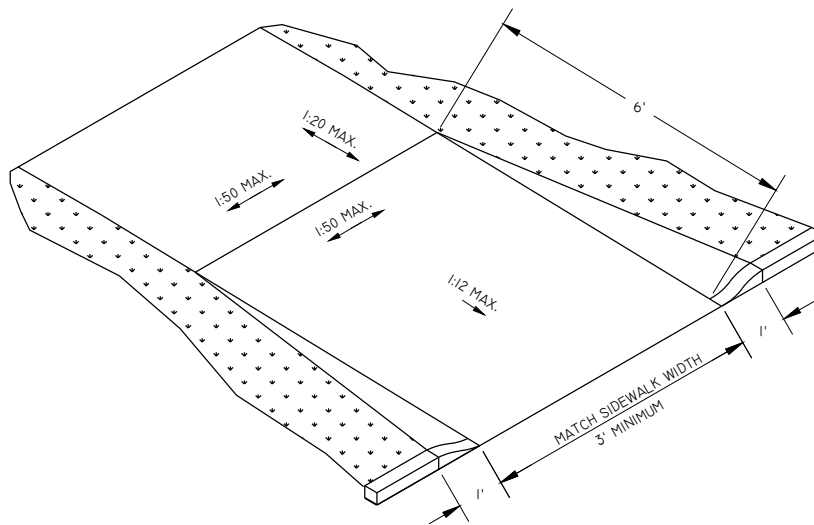
DATE: 04/10/2017
PROJ. NO.: C4640003
DRAWN BY: MJG
REVISION:

1 / 4



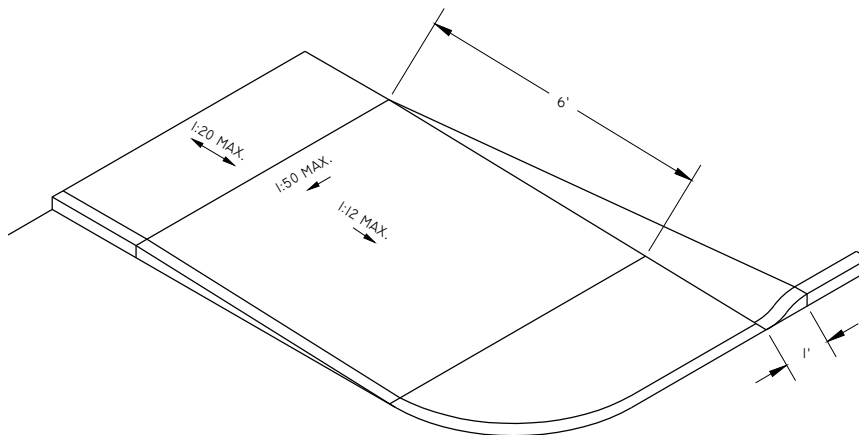
MODIFIED PARALLEL CURB RAMP DETAIL

SCALE: N.T.S.



END CURB RAMP DETAIL

SCALE: N.T.S.



ALTERNATE END CURB RAMP DETAIL

SCALE: N.T.S.

PREPARED BY:

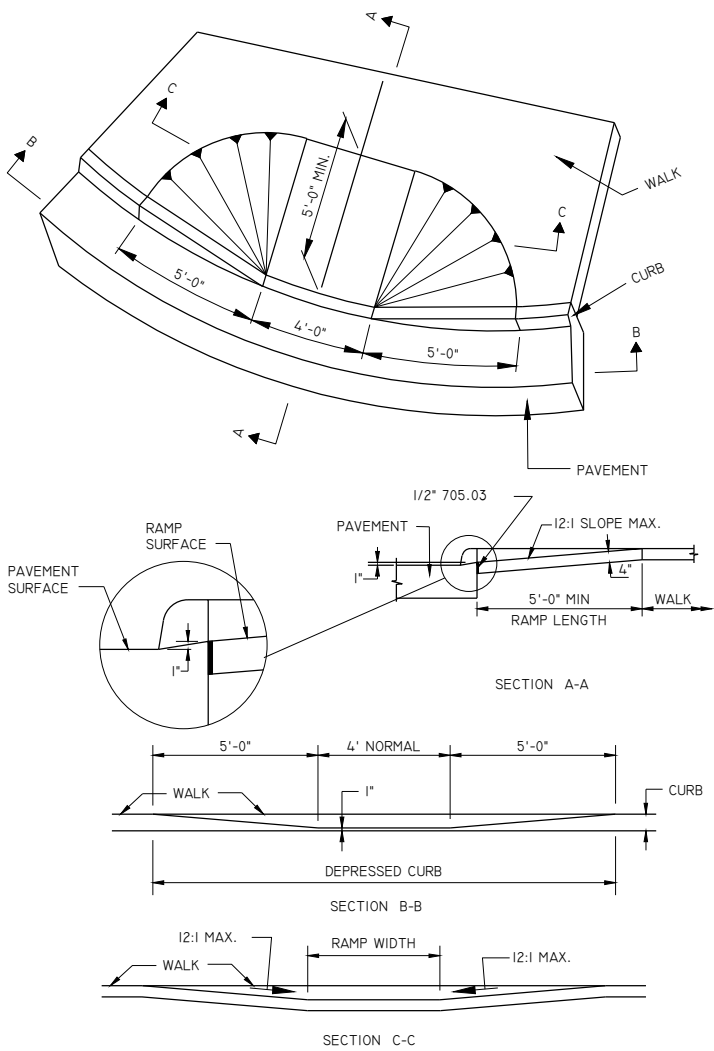


PREPARED FOR:

VILLAGE OF
CADIZ

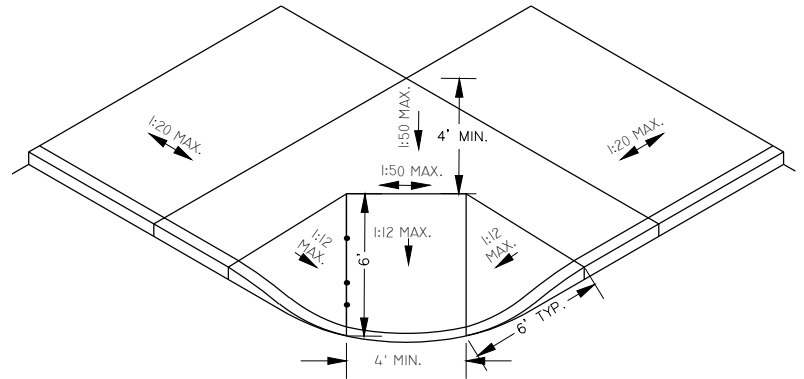
CADIZ SIDEWALK PROGRAM

DATE: 04/10/2017
PROJ. NO.: C4640003
DRAWN BY: MJG
REVISION:



TYPE I CURB RAMP DETAIL

SCALE: N.T.S.

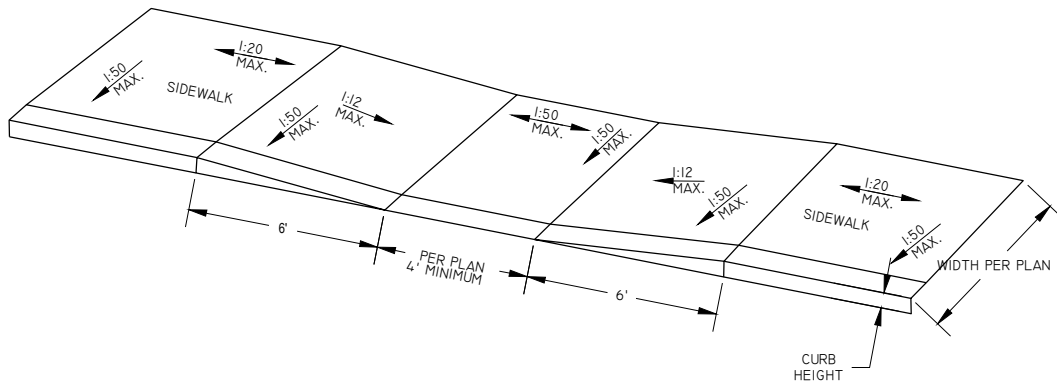


CORNER CURB RAMP DETAIL

SCALE: N.T.S.

NOTES:

1. TEXTURE OF CONCRETE RAMP SURFACE SHALL BE OBTAINED BY COURSE BROOMING PERPENDICULAR TO THE RAMP SLOPE AND SHALL BE ROUGHER THAN ADJACENT WALK.



PARALLEL CURB RAMP DETAIL

SCALE: N.T.S.

PREPARED BY:



PREPARED FOR:

VILLAGE OF
CADIZ

CADIZ SIDEWALK PROGRAM

DATE: 04/10/2017
PROJ. NO.: C4640003
DRAWN BY: MJG
REVISION: